

567 SERIES



37" INTERACTIVE COMMERCIAL LCD HDTV
Pro:Idiom™
MPEG4 H.264

Industry Leading Design and Performance

Our Performance class of LCDs for the Hospitality Industry boasts Full HD 1080p resolution, Pro:Idiom™ technology and are Energy Star 4.0 compliant. Each includes Hotel commercial television features, Volume Limiters, Front Panel Lock-out, Menu Display Lock-Out, Hotel Custom Logo/Welcome Message, Channel Electronic Program Guide (EPG) Re-Mapping, Remote Jack Pack (RJP) Priority, USB Cloning and Anti-Theft Battery Cover Remote Control. With so many features, Samsung is the hotelier's logical choice.



LN37D567F9HXZA

37" Interactive Commercial LCD HDTV

VIDEO PERFORMANCE

- Fast 6.5ms Response Time
- FHD 1920 x 1080 (1080p)
- 200,000 : 1 Dynamic Contrast Ratio
- MPEG2/MPEG4 H.264 Decoding

FEATURES

- Sleep Timer
- Auto TV On
- Close Caption
- ConnectShare™ (USB 2.0)
- Auto Channel Search
- Auto Volume Limiter
- 90°/90° Swivel (Left/Right)
- Pro:Idiom™
- OSD Language
- Hotel Mode Plug & Play
- Music Mode (Input: PC/AV/Component)
- Music Mode Backlight On/Off
- Hotel TV (RJ12/IR Pass Through)
- Power On Status Setting (Master)
- USB Cloning
- Multi Code Remote
- Anti-Theft Battery Cover
- Channel List
- Alarm Key
- Hotel Logo Display with Time Out Setting
- SIRCH

CONNECTIONS

- 3 HDMI®
- 2 USB
- RJ-12 Interactive Port with IR pass-through

AUDIO

- Dolby® Digital Plus
- SRS TheaterSound®
- 10W x 2

NET DIMENSIONS (WxHxD)

- TV without stand: 35.5" x 22.1" x 3"
- TV with stand: 35.5" x 24.2" x 9.4"

UPC

036725 2 3575 5

REMOTE JACK PANEL COMPATIBILITY (RJP)

Guest Link, Teleadapt  

INTERACTIVE COMPATIBILITY SYSTEM:

Lodgenet, Enseo, N-Streams, Guest-Tek, Seachange, NXSystems, IBAHN, Tangerine, VRN



LN37D567F9HXZA 37" Interactive Commercial LCD HDTV

VIDEO PERFORMANCE

Response Time: A fast 6.5ms response time minimizes blurring of fast motion in sports or action programs

1920 x 1080 (1080p) FHD Resolution: High resolution pixel density is combined with an image scaler to handle inputs from a variety of sources

200,000 : 1 Dynamic Contrast Ratio: Black tones and shadow areas are rendered superbly and with great range

MPEG2/MPEG4 H.264 Decoding: Part 10 or AVC (Advanced Video Coding) is a standard for video compression

Exceeds Energy Star Standard: LCD energy efficient, up to 30% less than the latest energy star specification on series and screen size and in standard hotel mode

See www.energystar.gov for more details.

FEATURES

Sleep Timer: Set turn off time

Auto TV On: Program TV channel or AV at turn on

Closed Captioning: A text display of all audio content including spoken dialog and non-speech information such as the identity of the speakers and symbols for sound effects and music

ConnectShare™ (USB 2.0): Connect a thumb drive or digital camera quickly and easily. User friendly interface allows access to videos, a music playlist and pictures via the remote

Auto Channel Search: Auto detect channel while in hotel mode

Auto Volume Limiter: During initial product set-up, minimum and maximum volume levels can be locked to help minimize disturbance to other hotel guests

Swivel Base (Left/Right): 90°/90° degree swivel. Also included is security lock down base to furniture or granite

Pro:Idiom™: Embedded digital rights management (DRM) video content security system designed to encrypt the signal so that only authorized Pro:Idiom HDTVs can decode the signal and display the video on its screen; No additional cards are needed

OSD Language: English/French/Spanish

Hotel Mode Plug & Play: Interactive Stand Alone

Music Mode (Input: HDMI/PC/AV/Component): When picture is muted allows audio feedback

Music Mode Backlight On/Off: Background Display

Hotel TV (RJ-12/IR Pass Through): Connecting Interactive STB/SBD (Set Top/Back Box)

Power On Status Setting: Power always on, last option, or standby

USB Cloning: A quick and easy way to copy the ideal settings of television to others on the property. Saves time and helps provide a consistent viewing experience for all televisions.

Multi Code Remote: Eliminates interference when two or more TVs are used in close proximity

Anti-Theft Battery Cover: Battery door is secured helping to always keep batteries in the remote controller

Channel List: Re-mapping of A/V or digital minor channel

Alarm Key: Activate TV as wake up alarm

Hotel Logo Display with Time Out Setting: Display hotel logo bitmap files as a greeting startup display

SIRCH: Samsung Interactive Remote Control for Hospitality is a management head-end remote control system that is able to manage applications such as channel line-up, channel names, TV Cloning, and firmware upgrades to all hotel TV's, all at the same time from a remote location (Additional equipment required)

CONNECTIONS

3 HDMI® – version 1.3 (2 side, 1 rear)

2 USB – version 2.0 (side)

RF input: 1 (rear)

Component (Y/Pb/Pr): 1 (rear)

Composite (AV): 1 (Common use for Component Y)

PC D-sub: 1 (rear)

PC Audio Jack: 1 (rear)

Audio Out (Line Out) Monitor: 1 (rear)

Optical Sound Out: 1 (rear)

RJ-12 for External Control: 1 (rear)

AUDIO

Dolby® Digital Plus

10 watts x 2 audio power stereo broadcast reception: Supports multi-channel sound (MTS) and second audio program (SAP) with 181-channel capacity

SRS TheaterSound®: Get crisp, clear digital quality sound via advanced SRS technology

SPECIFICATIONS

Panel: Wide (16:9)

TV System: ATSC/Clear QAM Cable

Channel Coverage: VHF 2-13, UHF 14-69, CATV

Antenna: CATV/VHF/UHF 75

Audio Power: 10W x 2

4 Energy Saving Modes:

Power Supply: AC 100 ~ 120V ~60Hz

VESA Wall Mount Pattern: 200mm x 100mm

NET DIMENSIONS & WEIGHT (WxHxD)

TV without stand: 35.5" x 22.1" x 3"

TV without stand weight: 25.4 lbs

TV with stand: 35.5" x 24.2" x 9.4"

TV with stand weight: 31.7 lbs

WARRANTY

2-year parts and 2-year labor warranty backed by Samsung Hospitality Hotline 1-866-894-0524. Optional professional installation, accessories and extended warranty is available.

ORDER CODE

LN37D567E1HXZA

UPC

036725 2 3575 5

©2011 Samsung Electronics America, Inc. All rights reserved. Samsung ConnectShare, AllShare, Smart TV, AnyNet+ are trademarks or registered trademarks of Samsung Electronics Co., Ltd. Design and specifications are subject to change without notice. Non-metric weights and measurements are approximate. Screen images are simulated.

HDMI, the HDMI logo and High-Definition Multimedia Interface are trademarks or registered trademarks of HDMI Licensing LLC.

ENERGY STAR is a registered trademark of the U. S. Environmental Protection Agency.

SRS TheaterSound HD is a registered trademark of SRS Labs, Inc.

Pro:Idiom is a registered trademark of the Zenith Corporation.

LodgeNet and b-LAN are trademarks of LodgeNet Interactive Corporation.

All other product and brand names are trademarks or registered trademarks of their respective owners.

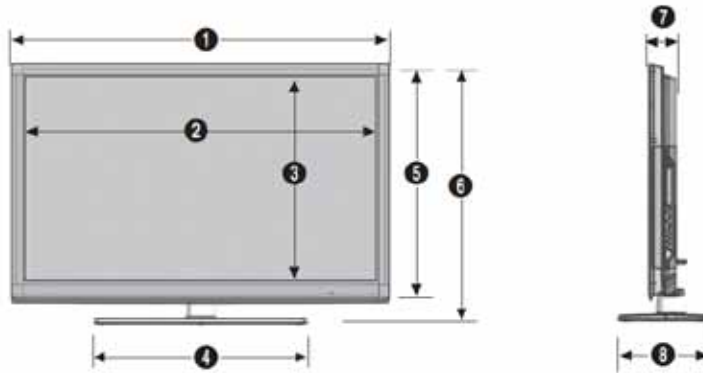


Pro:Idiom™



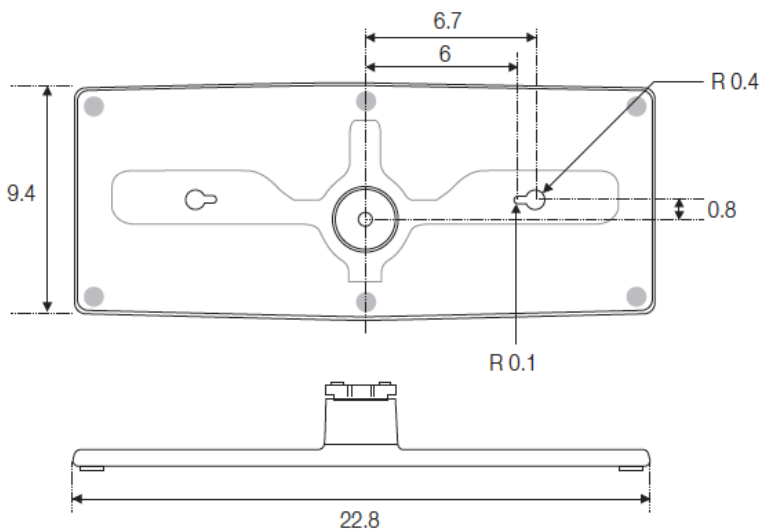
LN37D567F9HXZA 37" Interactive Commercial LCD HDTV

DIMENSIONS



(Unit: inches)

1	2	3	4	5	6	7	8
35.5	32.4	18.3	22.8	22.1	24.2	3	9.4



SIRCH - Samsung Interactive Remote Control for Hospitality (Optional equipment purchase required.)



Hotel Installer can Edit hotel Install Menu/Channel Map data by SIRCH windows application program.

TCP/IP
(Windows Remote Access)



RF

Coax. Cable



All hospitality TV's can be updated over an entire installation. This includes delivering TV firmware, channel map and settings.

